

Oriental motor

ORIENTAL MOTOR U.S.A. Corp.
570 Alaska Avenue
Torrance, CA 90503
1-800-GO-VEXTA (468-3982)

Item # BMUD120-C2, Brushless DC Motor Driver (Single-Phase, Three-Phase 200-240 VAC)



BMU Series Driver

Design Change effective January 2015. See Downloads for details and confirm your part number before ordering.



Web Price

\$216.00

Specifications | Dimensions

Specifications

Available to Ship¹	Available quantity to ship: 10 pieces by 4/20/26.
Power Supply	Single-Phase, Three-Phase 200-240 VAC
RoHS Compliant	These products do not contain substances that exceed the regulation values in the RoHS Directive.
Safety Standards	UL CSA CE
California Proposition 65	<p>⚠ CA WARNING Cancer risk from exposure to Nickel. See www.P65Warnings.ca.gov Risk of reproductive harm from exposure to Di-n-hexyl phthalate (DnHP). See www.P65Warnings.ca.gov Risk of cancer and reproductive harm from exposure to Di(2-ethylhexyl phthalate (DEHP). See www.P65Warnings.ca.gov See "?" or copy/paste www.P65Warnings.ca.gov in your browser.</p>

Dimensions



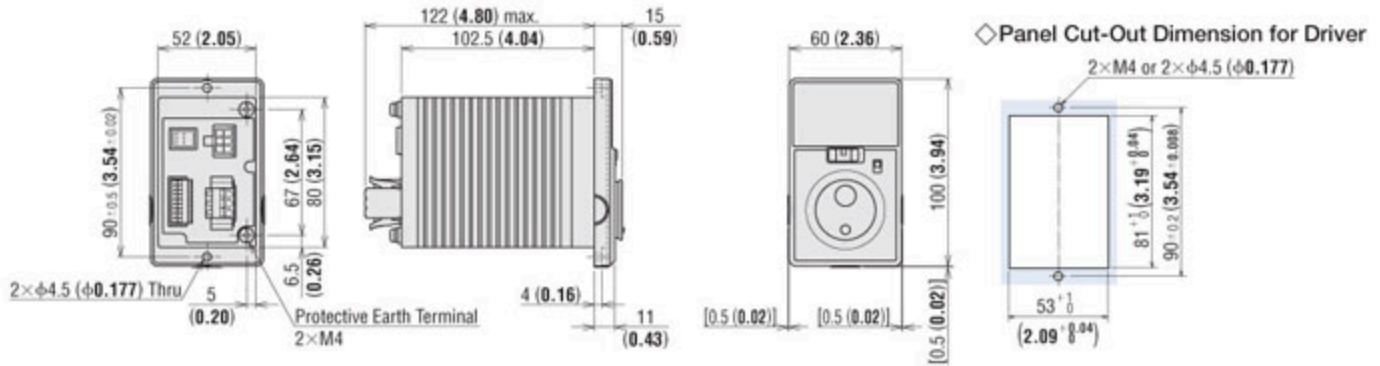
Dimensions Unit = mm (in.)

● Driver

◇ 30 W (1/25 HP), 60 W (1/12 HP), 120 W (1/6 HP)

BMUD30-A2, BMUD30-C2, BMUD60-A2, BMUD60-C2, BMUD120-A2, BMUD120-C2

Mass: 0.4 kg (0.9 lb.)



¹ Quoted Ship Date for orders placed before 12:00 pm PST. Quantities may affect Shipping Date.

©2017 - ORIENTAL MOTOR U.S.A. Corp. - All rights reserved.

Site Search...

