

# Oriental motor

ORIENTAL MOTOR U.S.A. Corp.  
570 Alaska Avenue  
Torrance, CA 90503  
1-800-GO-VEXTA (468-3982)

## Item # MD925A-24, 3.62 in. (92 mm) DC Axial Fan



Replacement is available. This part number is scheduled to be discontinued. Please contact technical support.

Web Price —

**Request Quote**

[Specifications](#) | [Dimensions](#) | [Airflow](#) | [Connection](#) | [System](#)

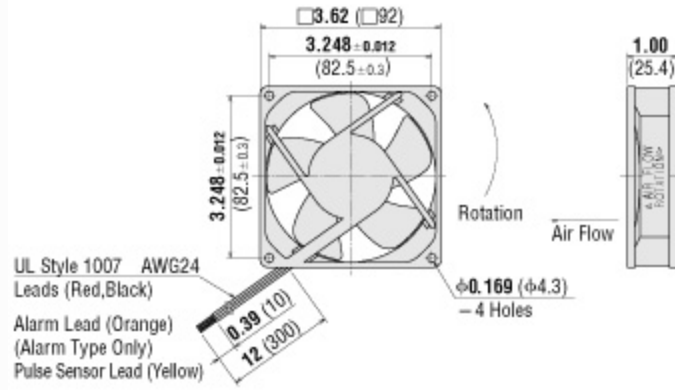
### Specifications —

<b>Lead Time<sup>1</sup></b>	Contact your local sales office for more information
<b>Return Policy</b>	This product cannot be cancelled or returned once the order has been processed.
<b>Product Line</b>	ORIX®
<b>Fan Type</b>	Axial Fan
<b>Frame Size</b>	3.62 in
<b>Thickness</b>	1 in.
<b>Power Supply</b>	24 VDC
<b>Current</b>	0.12 A
<b>Function</b>	None
<b>Connection Type</b>	Lead Wire

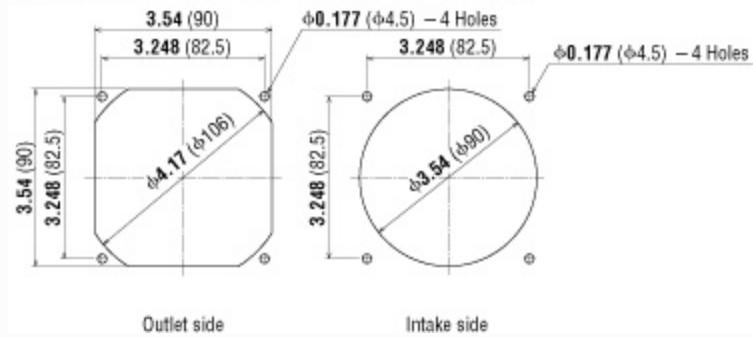


Type	S Type (Standard)
Fan Speed Type	Standard Speed
Speed (r/min)	3400
Max. Air Flow	45.9 CFM
Max. Static Pressure	0.196 inH <sub>2</sub> O
Noise Level	36 dB (A)
Fan Kit	Fan Only
RoHS Compliant	These products do not contain substances that exceed the regulation values in the RoHS Directive.
Safety Standards	DEMCO UL CE
CE Marking	EMC Directives
California Proposition 65	<p><b>⚠ CA WARNING</b> Cancer risk from exposure to Nickel. See <a href="http://www.P65Warnings.ca.gov">www.P65Warnings.ca.gov</a> Risk of reproductive harm from exposure to Di-n-hexyl phthalate (DnHP). See <a href="http://www.P65Warnings.ca.gov">www.P65Warnings.ca.gov</a> Risk of cancer and reproductive harm from exposure to Di(2-ethylhexyl phthalate (DEHP). See <a href="http://www.P65Warnings.ca.gov">www.P65Warnings.ca.gov</a> See "?" or copy/paste <a href="http://www.P65Warnings.ca.gov">www.P65Warnings.ca.gov</a> in your browser.</p>
Insulation Resistance	10 MΩ or more when 250 VDC is applied between the windings and the frame under normal ambient temperature and humidity.
Dielectric Strength	Sufficient to withstand 500V at 50Hz applied between the windings and the frame for 1 minute under normal ambient temperature and humidity.
Temperature Rise	18°F (10°C) or less measured by the thermometer method after the temperature of the case has stabilized after continuous operation under normal ambient temperature and humidity.
Insulation Class	Class E (248°F [120°C]), Recognized as Class A (221°F [105°C]) by UL and CSA standards.
Overheat Protection	Built-in Overheat Protection Circuit
Ambient Temperature Range	14°F ~ 140°F (-10°C ~ 60°C)
Ambient Humidity	85% or less (noncondensing)

**Dimensions** Scale 1/4, Unit = inch (mm)  
 Weight: 0.26 lb. (0.12 kg)



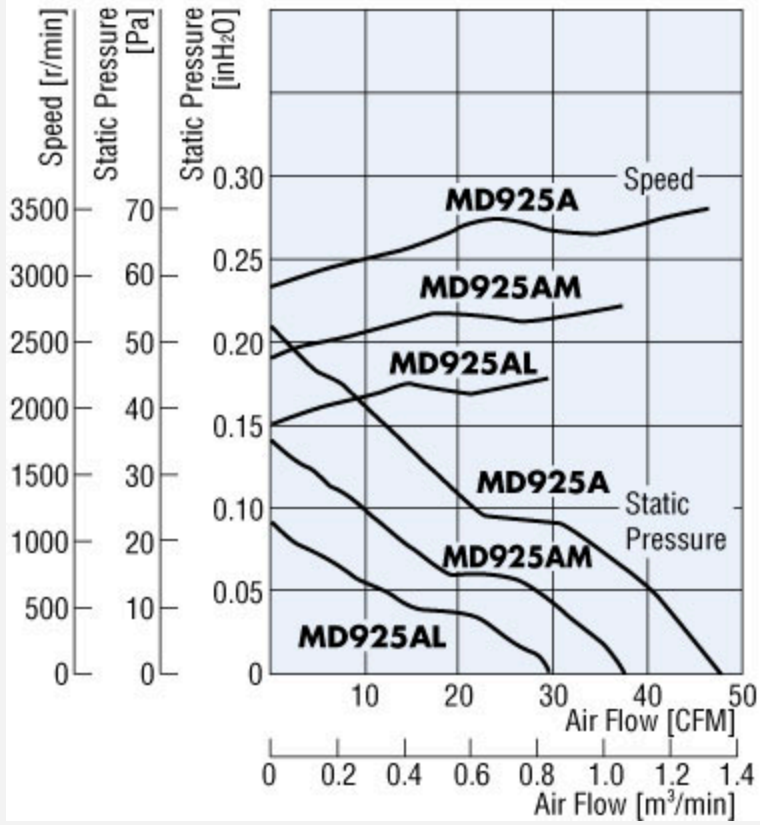
**Panel Cut-Out** Scale 1/4, Unit = inch (mm)



**Airflow** —

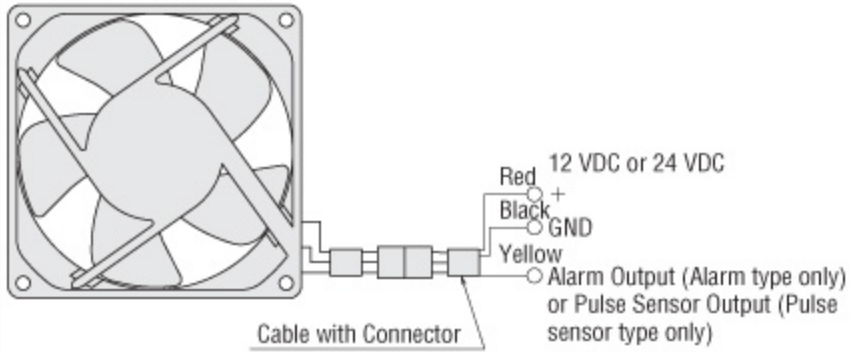


# Air Flow – Static Pressure Characteristics

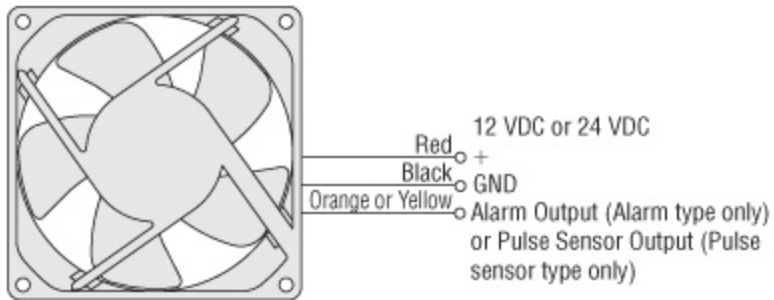


## ■ Connection Diagrams

### ● Connector Type



### ● Lead Wire Type



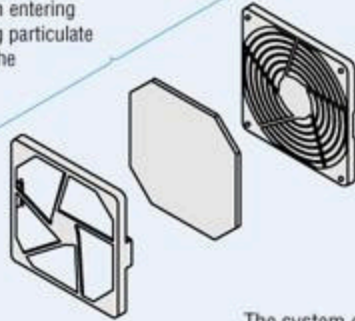
**Finger Guards (Accessories)**  
Protect against the hazards posed by rotating fan blades.



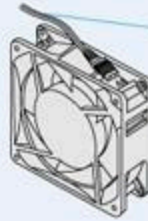
**Screens (Accessories)**  
Allow the passage of air but block electromagnetic waves.



**Filters (Accessories)**  
Prevents dust from entering the fan, eliminating particulate contamination of the equipment.



**Plug Cords (Accessories)**  
Provide terminals for connection to the power supply. For **MU** Series fans.



**Axial Flow Fans**

The system configuration shown is an example. Other combinations are available.

<sup>1</sup> Quoted Ship Date for orders placed before 12:00 pm PST. Quantities may affect Shipping Date.

